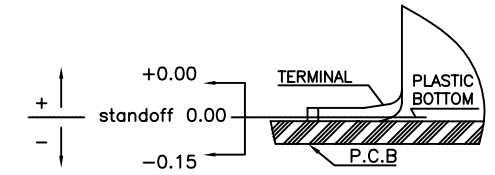
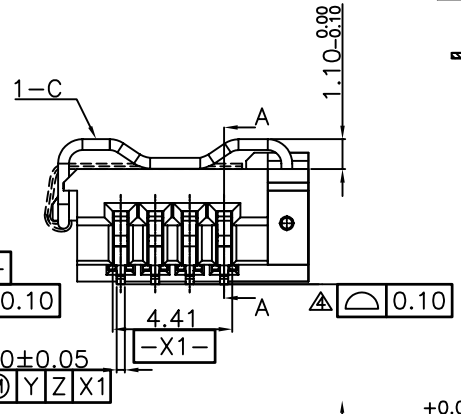
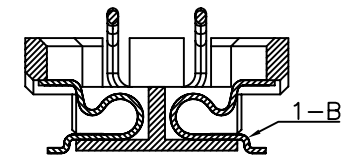
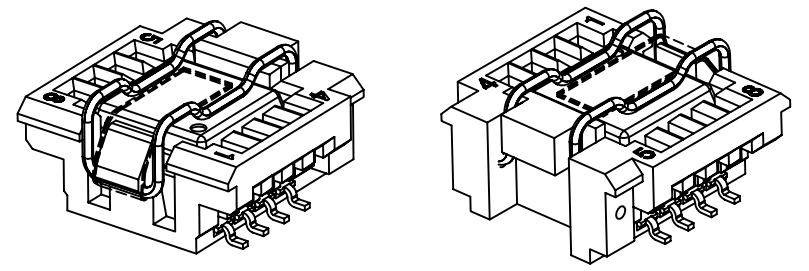
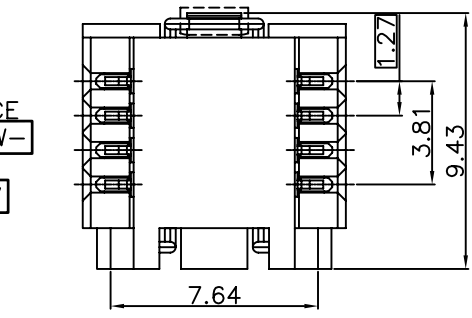
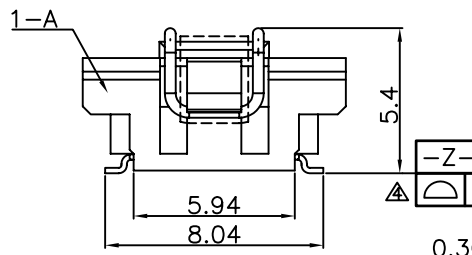
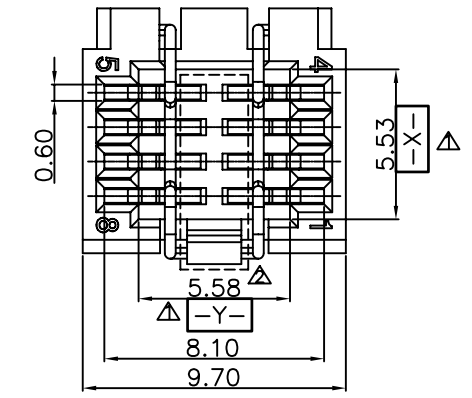
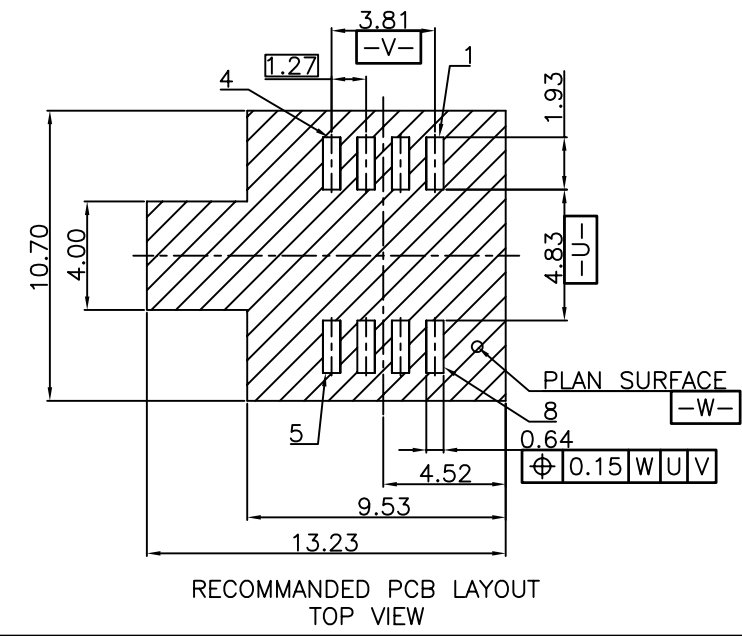


SPI FLASH SOCKET FOR SOIC 200mil CHIP

REV	DATE	DESCRIPTION	ECN NO.	NAME
A	06.05.26	NEW RELEASE		sunny-gao
B	06.08.22	△ MODIFY	CECR06001383	Rain
C	06.11.22	△ ADD PULL TAB	TECR06001758	Rain
D	07.02.24	△ ADD PATENT NUMBER	CECR07001690	LSS
E	09.03.25	△ MODIFY	TECR09002206	songlu
F	09.05.13	△ MODIFY ORDER INFORMATION	CECR09004298	BOB

- NOTE:
- MATERIAL:
 - A. INSULATOR: HIGH TEMPERATURE THERMAL PLASTIC, UL94V-0
 - B. TERMINAL: COPPER ALLOY
 - C. COVER: STAINLESS STEEL WIRE
 - D. CAP: HIGH TEMPERATURE THERMAL PLASTIC, UL94V-0
 - PLATING: SEE ORDER INFORMATION, NICKEL UNDERPLATED
 - PART NUMBER
G6179-10 00 **-* △
 00:Rosh
 PLATING: H0:Halogen Free
 00=PURE TIN, 100~200u"
 01=GOLD FLASH
 PACKAGE
 00=TAPE AND REEL
 - PATENT NUMBER: Taiwan, ROC: M299953 △



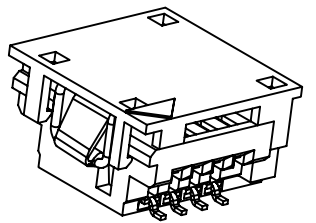
GENERAL TOLERANCE	WIESON TECHNOLOGIES CO., LTD	PART NO. G6179-1000**-*	
X.X = ±0.20		DRAWING BY Sam Chen(WST)	DRAWING NO. G6179-1000XX-XX
X.XX = ±0.10		CHECKED BY KEVIN	DRAWING SIZE 5 : 1 A4
X.X' = ±3'		APPROVED BY JERRY	UNIT mm
		SORTING NO. WSC	PAGE 1 OF 2

ISSUED

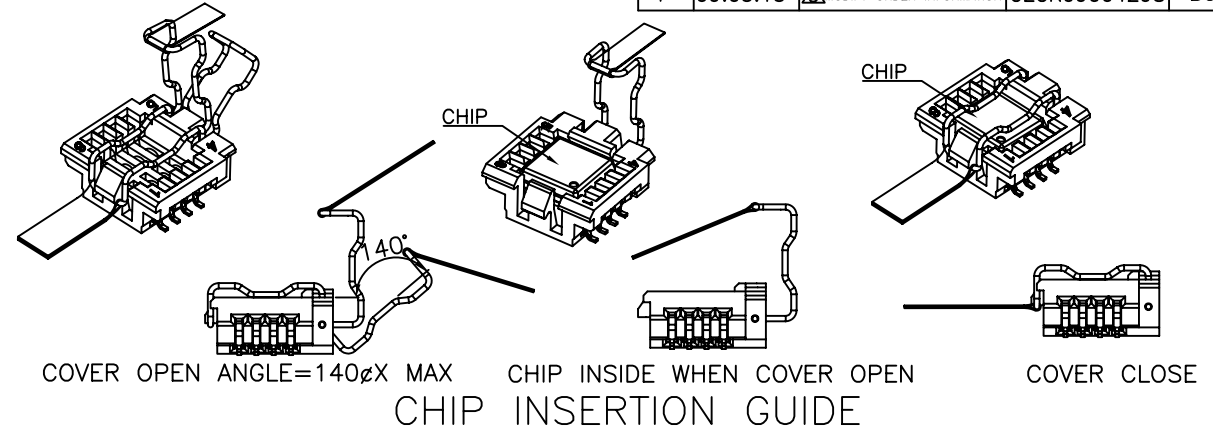
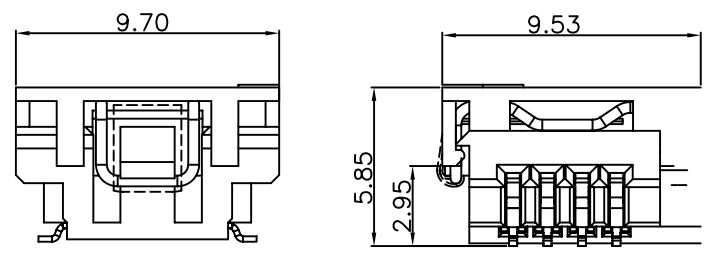
SPI FLASH SOCKET FOR SOIC 200mil CHIP

REV	DATE	DESCRIPTION	ECN NO.	NAME
A	06.05.26	NEW RELEASE		sunny-gao
B	06.08.22	△ MODIFY	CECR06001383	Rain
C	06.11.22	△ ADD PULL TAB	TECR06001758	Rain
D	07.02.24	△ ADD PATENT NUMBER	CECR07001690	LSS
E	09.03.25	△ MODIFY	TECR09002206	songlu
F	09.05.13	△ MODIFY ORDER INFORMATION	CECR09004298	BOB

A

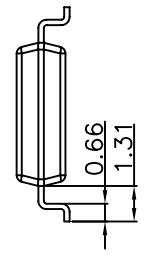
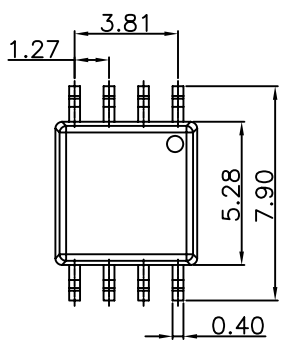


B



C

OUTLOOK DIMENSION WITH CAP



UNCLINCH COVER GUIDE

STEP 1

Pull tab hidden

SOCKET AFTER MOUNTED ON PCB

STEP 2

Length is 10mm

OPEN THE CAP.THE PULL TAB BOUNCES OUT IN AN EASY-TO-PULL ANGLE

STEP 3

USE FINGERS TO PULL THE TAB

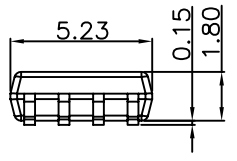
STEP 4

PULL THE TAB UPWARD

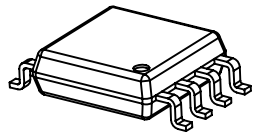
STEP 5

LATCH IS OPEND EASILY

D



RECOMMENDED SOIC 200mil CHIP



E

GENERAL TOLERANCE X.X = ±0.20 X.XX = ±0.10 X.X' = ±3'	WIESON TECHNOLOGIES CO., LTD		PART NO. G6179-1000** - **	
	DRAWING BY	Sam Chen(WST)	DRAWING NO.	G6179-1000XX-XX
	CHECKED BY	KEVIN	DRAWING SIZE	5 : 1 A4
	APPROVED BY	JERRY	UNIT	mm
	SORTING NO.	WSC	PAGE	2 OF 2

ISSUED